

SECTION 5 TECHNICAL SPECIFICATIONS

	AMERICAN TACTICAL CS9/ AMERICAN TACTICAL CS40 .40S&W	AMERICAN TACTICAL FS9	AMERICAN TACTICAL HP9	AMERICAN TACTICAL C45	AMERICAN TACTICAL FS40 .40 S&W
Caliber	9x19 mm / .40S&W	9x19 mm	9x19 mm	.45 ACP	.40S&W
Magazine Capacity	18 / 12	18	18	9	12
Safety System	Pin Safety, Hammer Safety, Safety Latch	Pin Safety, Hammer Safety, Safety Latch	Pin Safety, Hammer Safety, Safety Latch	Pin Safety, Hammer Safety, Safety Latch	Pin Safety, Hammer Safety, Safety Latch
Operating System	Single Recoil System, Semi - Automatic	Single Recoil System, Semi - Automatic	Single Recoil System, Semi - Automatic	Single Recoil System, Semi - Automatic	Single Recoil System, Semi - Automatic
Aim Order	Stable Square Front Sight, Half "U" Rear Sight	Stable Square Front Sight, Half "U" Rear Sight	Stable Square Front Sight, Half "U" Rear Sight	Stable Square Front Sight, Half "U" Rear Sight	Stable Square Front Sight, Half "U" Rear Sight
Weight (Empty magazine)	33 oz	34,3 oz	33 oz	35 oz	33,8 oz
Length	7,5"	8,6"	8,4"	8"	8,1"
Height	5,5"	5,5"	5,5"	5,6"	5,6"
Width	1,3"	1,3"	1,2"	1,4"	1,37"
Barrel Length	4"	5"	5"	4,6"	4,6"
Minimum Barrel Life	25.000 shots	25.000 shots	25.000 shots	25.000 shots	25.000 shots

SECTION 2 SHOOTING

ATTENTION: You're carrying a pistol loaded and ready to fire. Keep your finger off the trigger until you are actually aiming at the target ready to shoot.

If you're new in using a firearm, you should seek a supervised instruction by an instructor in a shooting range.

1- After wearing eye and ear protection, turn to the target with your loaded pistol.

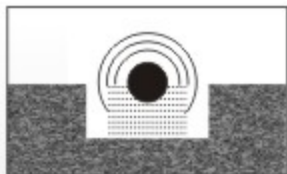
2- Keep your feet 30-45cm apart to take a correct stance.

3- Raise your arm (see pic-5) and line up with the target. Aim the gun and pull the trigger.

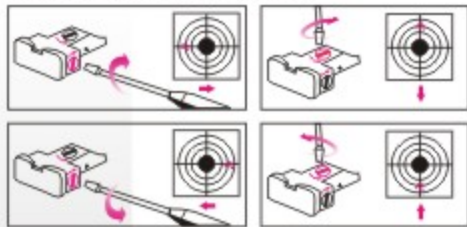
4- With each pull of the trigger, one shot will occur.

5- If you want stop shooting, decock and unload your pistol confirming the general rules.

ATTENTION: Always keep your finger off the trigger until ready to shoot.



ADJUSTING THE SIGHTS



To raise the rear sight, turn the elevation adjusting screw counterclockwise. To lower the rear sight turn the screw clockwise.

The rear sight can also be adjusted for windage. Turn the windage adjusting screw clockwise to move the notch to right side, and counter-clockwise to move the notch to left side.

7 * This function is for the products with adjustable sights

Picture: 5

ATTENTION: Never use alcohol or over-the-counter, prescription or other drugs before or while shooting.

REASSEMBLING THE GUN

To reassemble the pistol, simply reverse the same procedures. You should pay attention to the items mentioned below.

- 1- The barrel is placed in the slide assembly. (see Pic-15) Install the recoil spring tube and recoil spring.(see Pic-14)
- 2- Place the slide, as safety latch is OFF, on the receiver. (See Pic-21)
- 3- After placing the slide, turn the slide stop 90 degrees counterclockwise.
- 4-The pistol is set after inserting the magazine. (See Pic-3)
- 5- Make sure that the pistol is in safety position. (See Pic-6)



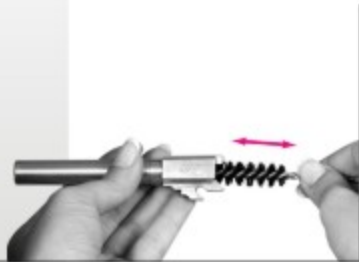
Picture: 21

ATTENTION: Granuled solvents in cleaning can damage the gun's bluing and finish.

3- Swab the interior of the slide with the cloth to remove the excess accumulations of oil.

4-With the oiled brush, run through the barrel several times. (Pic-19)

5-Wipe dry inside of the barrel with the cleaning rod and cloth. (Pic-20)



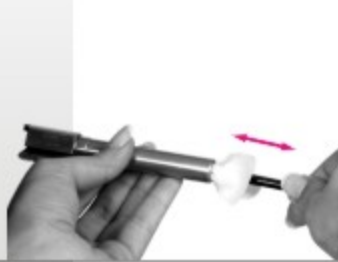
Picture: 19

15

6-Check all parts cleaned or not, if still remains dirt, repeat the steps.(Pic-19)

7- Wipe all parts and surfaces with a cloth that is lightly oiled.

8- Before firing remove all oil from the barrel with cleaning rod and cloth.(Pic-20)



Picture: 20

ATTENTION: Always make sure that the chamber is empty before adjusting the sights

TRIGGER BLOCK SAFETY

To place the safety position, push the lever down so that it covers the red dot. The trigger can not be moved rearward when you lock the sear. As a result, the hammer is also blocked.(Pic-6)



Picture: 6

8

FIRING PIN SAFETY

Firing pin safety is only disengaged when the trigger is pulled. If, after a fall, the hammer was released, then the firing pin would not be activated.(Pic-7)



Picture: 7

ATTENTION: Always make sure that the muzzle is pointed in a safe direction, keep away your fingers from the trigger.

UNLOADING THE MAGAZINE

1- Hold the pistol with your right hand and press the magazine release button with your thumb. Release the magazine with the other hand. (Pic-8)



Picture: 8

2- After releasing the magazine you should control the chamber. Retract the slide to its rearmost position. Clear the chamber if still remains cartridge. Always check the chamber and the interior area of the receiver and the magazine-well to be certain there are no cartridges present. (Pic-9)



Picture: 9

9

SECTION 4 CARE

CLEANING AND MAINTENANCE

For the reliable functioning and durability of the pistol, after each shooting or whenever the pistol has been exposed to humidity, dust or other adverse conditions, make its upkeeping once a month following the proceedings below.

Requirements for upkeeping: brush, oil, cleaning rod, cloth. (Pic-17)



Picture: 17

CARE

- 1- Disassemble the pistol. (Section 3)
- 2- Using an oiled brush, scrub inside of the slide and chambers. (Pic-18)

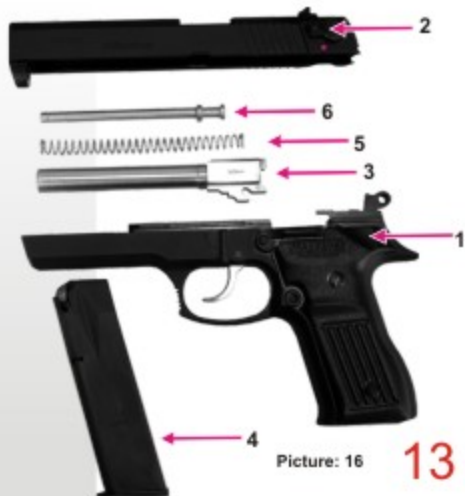


Picture: 18

14

ATTENTION: Please contact a gunsmith for assembling/disassembling other parts.

DISASSEMBLING THE PARTS FOR CLEANING AND UPKEEPING



Picture: 16

13

- 1- Frame
- 2- Slide assembly
- 3- Barrel
- 4- Magazine
- 5- Recoil spring
- 6- Recoil spring guide

Important! Please make sure the chamber is empty before disassembling the pistol

SECTION 3 DISASSEMBLING THE PISTOL

RELEASING THE MAGAZINE

1- Hold the pistol with your right hand, to remove the magazine press the magazine release button with your thumb. Release the magazine. (Pic-10)



Picture: 10

10

2- After removing the magazine, visually check whether a cartridge is in the chamber or not. Make sure the gun is pointed in a safe direction. (Pic-11)



Picture: 11

ATTENTION: Always keep your finger off the trigger until ready to shoot.

DISASSEMBLING THE SLIDE

3- Hold the pistol with your right hand. Push the slide assembly back lightly with your left hand when the safety spring is OFF. Slide stop is turned down 90 degrees by the right forefinger of the left hand. (Pic-12)



Picture: 12

11

4- Pull the slide assembly forward and off the receiver. (Pic-13)



Picture: 13

DISASSEMBLING THE BARREL

5- Hold the slide at the top with your left hand. Retract the recoil spring and guide then remove the recoil spring and guide as a whole. (Pic-14)

ATTENTION: The recoil spring is under tension! During removal use care to control the recoil spring and/or recoil spring tube.)



Picture: 14

12

6- Remove the barrel from the slide. (Pic-15)



Picture: 15



ATI

AMERICAN TACTICAL IMPORTS

800.290.0065 / www.americantactical.us / sales@americantactical.us 100 Airpark Drive, Rochester, NY 14624



**MANUFACTURED BY TISAŞ TRABZON
GUN INDUSTRY CORP.**

AQAP 120



www.trabzonsilah.com
sales@trabzonsilah.com

OFFICE:
DE-GOL CAD. 13/1
TANDOĞAN- ANKARA - TÜRKİYE
Phone: + 90 312 213 75 09
Fax : + 90 312 213 78 06
+ 90 312 213 85 70

Vizyon 321 79 19 Trabzon



ATI

AMERICAN TACTICAL IMPORTS

INSTRUCTION MANUAL

ATTENTION
Do not use the gun before
reading this guide

MODELS

AMERICAN TACTICAL CS9

AMERICAN TACTICAL FS9

AMERICAN TACTICAL HP9

AMERICAN TACTICAL C45

AMERICAN TARTICAL FS40 .40 S&W

AMERICAN TARTICAL CS40 .40 S&W

DOUBLE ACTION PISTOLS

INTRODUCTION:

TİSAS Trabzon Gun Industry Corp./ American Tactical Imports (ATI) is one of the leading pistol manufacturer in Turkey. Our company manufactures pistol confirming the AQAP 120 and ISO 9001-2000 regulations.

This manual will guides you in using safely, assembling/disassembling and cleaning and maintaining the pistol.

Please refer to TİSAS/ATI for further questions

WARNING:

TİSAS Trabzon Gun Industry Corp./American Tactical Imports (ATI) is not responsible of the disobeying the usage regulations, the careless usage, the modification of the parts and/or internal safeties without permission, causing a damage because of non-standard, defective, inappropriate ammunition, the physical deformation caused by wrong usage and maintenance of the owner. TİSAS/ATI are also not responsible for the acts, that are not directly related to TİSAS/ATI, like physical injury, damaging personal and property rights and similar situations.

GUARANTEE CONDITIONS

- 1- The guarantee continues one year and started from the delivery of the gun.**
- 2- If there is a failure with the gun in the guarantee period; contact the authorized service by the seller.**
- 3- If there is a failure with the gun by the material, workmanship or assembling faults in the guarantee period; the gun is repaired as soon as possible.**
- 4- Failures caused by the usage faults are not in the guarantee range. The usage faults are determined by the experts of our company.**
- 5- For more information contact us.**

PROBLEMS ON FIRING

Malfunctions or defects at firing of the firearms are caused by wrong maintenance, damaged magazine or wrong type of ammunition.

PROBLEMS	POSSIBLE REASONS	SOLUTION SUGGESTION
Firearm is not firing	Hammer does not work	Be sure that the safety latch is on
	Hammer works but not fire, broken firing pin	Take the firearm to a gunsmith
	Dirty sledge surface	Unload the firearm and clean it
	Wrong type of cartridge	Eject the cartridge by pulling the slide back, continue to fire with the next cartridge
Feeding problem	Insufficient cocking	Repeat the operation by pulling the slide back
	Insufficient spring pressure	Push the magazine until it's held by the magazine catch or take the firearm to a gunsmith
	Deformed magazine lip	Change the magazine
	Deformed magazine spring	Change the magazine
Deformed carrier spring	Change the carrier spring	
Ejection failures	Failure in extracting jammed at the cover	Remove the magazine from the firearm. Pull the slide back, remove the jammed cartridge with a wooden tool and clean the chamber. If the problem repeats again, take the firearm to a gunsmith
	Broken extractor	Take the firearm to a gunsmith
	Wrong type of or damaged ammunition	Change the ammunition
	Deformed or broken extractor spring	Take the firearm to a gunsmith
	Deformed or broken ejector	Take the firearm to a gunsmith

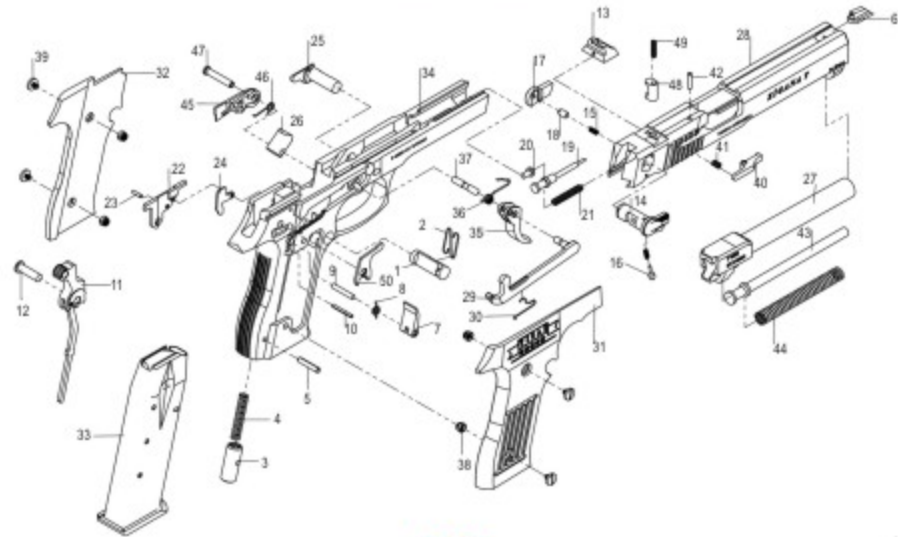
SAFETY RULES

- ▲ Weapon is not dangerous. The cause of the danger is ignorance and carelessness. For protection against the accidents, please obey the rules below.
- ▲ Accidents are always the result of disobeying main rules of gun safety.
- ▲ Those who use the gun are responsible for the accidents that may occur.
- ▲ Always treat firearms as if they are loaded. For the safety of the gun, the safety pin must be on the position "Safety". Release the magazine and take out the cartridge in the barrel as pulling the cover back.
- ▲ Never allow the muzzle to point anything that you are not willing to see destroyed.
- ▲ Learn the safety mechanisms and unloading the gun safely.
- ▲ Always keep your finger off the trigger until ready to shoot.
- ▲ Aim the gun to a safe direction when reloading and unloading it.
- ▲ Always keep the gun unloaded until ready to use.
- ▲ Use only the proper ammunition.
- ▲ Do not shoot at hard surfaces and water.
- ▲ Never use alcohol or over-the-counter, prescription or other drugs before or while shooting.
- ▲ Wear eye and ear protection as appropriate.
- ▲ Be sure that you are using a clean gun, regularly upkeep your gun.
- ▲ Always secure your firearm so that they are not accessible to children, other unauthorized and untrained persons.
- ▲ Although you are sure that your gun is empty, point the muzzle away from alive objects and non-targets.



3

EXPLODED VIEW OF



20

PARTS LIST

NO	PARTS DESCRIPTION	CODE NO	NO	PARTS DESCRIPTION	CODE NO
1	MAGAZINE CATCH LOCK	ZT-1	26	BARREL SUPPORT	ZT-30
2	MAGAZINE CATCH LOCK SPRING	ZT-1.01	27	BARREL	ZT-31
3	MAIN SPRING GUIDE	ZT-2	28	SLIDE	ZT-32
4	MAIN SPRING	ZT-2.01	29	DISCONNECTOR	ZT-33
5	MAIN SPRING GUIDE PIN	ZT-2.02	30	DISCONNECTOR SPRING	ZT-33.01
6	FRONT SIGHT	ZT-3	31	GRIP RIGHT	ZT-35
7	SEAR	ZT-10	32	GRIP LEFT	ZT-35a
8	SEAR SPRING	ZT-10.01	33	MAGAZINE	ZT-503
9	SEAR PIN	ZT-10.02	34	FRAME	ZT-40
10	SEAR SPRING PIN	ZT-10.04	35	TRIGGER	ZT-42
11	HAMMER	ZT-701	36	TRIGGER SPRING	ZT-42.01
12	HAMMER PIN	ZT-11.01	37	TRIGGER PIN	ZT-42.03
13	SIGHT	ZT-16	38	GRIP BUSHING	ZT-43
14	SAFETY LATCH RIGHT	ZT-18	39	GRIP PLATE SCREW	ZT-43a
15	SAFETY SPRING RIGHT&LEFT	ZT-18.01	40	EXTRACTOR	ZT-47
16	SAFETY SPRING BALL RIGHT	ZT-18.02	41	EXTRACTOR SPRING	ZT-47.01
17	SAFETY LATCH LEFT	ZT-18a	42	EXTRACTOR PIN	ZT-47.02
18	SAFETY SPRING BALL LEFT	ZT-18a.01	43	RECOIL SPRING GUIDE	ZT-55
19	FIRING PIN	ZT-21	44	RECOIL SPRING	ZT-55.01
20	SMALL PIN	ZT-21a	45	SLIDE STOP	ZT-56
21	FIRING PIN SPRING	ZT-21.01	46	SLIDE STOP SPRING	ZT-56.01
22	EJECTOR	ZT-24	47	SLIDE STOP PIN	ZT-56.02
23	EJECTOR PIN	ZT-24.01	48	PIN SAFETY BLOCK	ZT-67
24	SEAR DISCONNECTOR	ZT-25	49	PIN SAFETY BLOCK SPRING	ZT-67.01
25	TAKE DOWN LEVER	ZT-28	50	PIN SAFETY BLOCK LATCH	ZT-70

SECTION 1 LOADING THE PISTOL

RELEASING THE MAGAZINE

Hold the pistol with your right hand, to remove the magazine press the magazine release button with your thumb. (Pic-1)



Picture: 1

LOADING THE MAGAZINE

Hold the magazine with your left hand and with the other one insert the cartridges one at a time, pressing them down to the rear, continue inserting the cartridges. Insert the magazine into the pistol until its held by the magazine catch. (Pic-2)



Picture: 2

ATTENTION: Always make sure that the muzzle is pointed in a safe direction while loading and unloading!

SETTING THE MAGAZINE

Hold the pistol with your hand, keeping away your finger from the trigger. Insert the magazine into the pistol until it is held by the magazine catch and it clicks. (Pic-3)



Picture: 3

COCKING THE PISTOL

Hold the pistol with your right hand, pull back the slide to the end point with your left hand and release it. When the slide takes the first position with the help of the recoil spring. The slide will take a cartridge from the magazine. The pistol is cocked and ready to fire. (Pic-4)



Picture: 4

5

TİSAŞ has the security and Production License from Ministry of National Defence since 1998 and the manufacturing system at TİSAŞ confirms the requirements of the AQAP 120 and ISO 9001-2000 Quality Systems.



We're proud of our pistols used by the Turkish Armed Forces.

18