



AMERICAN TACTICAL

OWNERS MANUAL

**BULLDOG SEMI**

**AUTOMATIC SHOTGUN**

**in 12GA, 20GA, & 410GA**



# FIREARM OWNER'S RECORD

MODEL: CARETTA - SERIAL# \_\_\_\_\_ DATE PURCHASED \_\_\_\_/\_\_\_\_/\_\_\_\_

**IMPORTANT WARNING... INFORMATION AND SPECIFICATIONS CONTAINED IN THIS MANUAL MAY CHANGE WITHOUT NOTIFICATION**

## CARE AND MAINTENANCE OF YOUR BULLDOG SHOTGUN

### 1) NEVER ALTER OR MODIFY YOUR SHOTGUN

This shotgun was produced under specific manufacturer guidelines and should not be changed under ANY circumstances. Altering the trigger, mechanical components, safety mechanisms, or using any other products other than those provided in the original box is **NOT RECOMMENDED** by the manufacturer, and could result death, bodily harm, or compromising your safety or the safety of others. Any alteration made to the firearm also voids the factory warranty.

### 2) PROPER CARE AND MAINTENANCE

It is essential that regular maintenance and cleaning be performed to maintain the accuracy, function, and maximize the longevity of your firearm. Before cleaning **ALWAYS** perform a safety check to make sure that the firearm is unloaded prior to cleaning.

---

## CONGRATULATIONS!!!

You are now the owner of the Bulldog Shotgun. Your shotgun has an innovative design and is manufactured from high quality materials. With regularly performed maintenance and the use of proper ammunition, it will provide you with many years of service.

In order to achieve the best performance and reliability from your shotgun, please read and fully understand all of the instructions, safety guidelines, and warnings carefully in this manual. Your quality shotgun is very reliable and safe unless it is handled in a careless or irresponsible manner. **REMEMBER... IT IS IMPERATIVE THAT THE FIREARM HANDLER BE FULLY EDUCATED AND AWARE OF THE IMPORTANCE OF EXECUTING PROPER GUN SAFETY RULES WHEN OPERATING ANY FIREARM.**

Before using or firing with any live ammunition, you should know and fully understand your shotgun's parts, function, and operation mechanisms. So carefully read and fully understand all of the information about the parts and procedures of using the shotgun safely and effectively.

## **A GUN OWNER'S RESPONSIBILITY**

As the owner of a firearm you have the responsibility and obligation of ensuring that any and all shooting activities are safe for everyone. This requires your personal commitment to carefully read, fully understand, and exercise the principles of proper firearm safety at all times.

### **DISCLAIMER**

**THE FIREARM IN WHICH THESE SAFETY RULES APPLY IS SOLD UNDER THE EXPRESSED CONDITIONS THAT THE MANUFACTURER ACCEPTS NO LIABILITY IN PART OR WHOLE FOR BODILY INJURY, DEATH, OR PROPERTY DAMAGE FROM:**

- IMPROPERLY OR CARELESSLY HANDLING THE FIREARM
- USING DEFECTIVE, IMPROPER CALIBER, HAND-LOADED, OR RELOADED AMMUNITION
- INADEQUATE MAINTENANCE OF THIS SHOTGUN RESULTING IN CORROSION OR DAMAGE
- NEGLIGENCE OF MALFUNCTIONS
- RESALE IN CONTRADICTION OF ANY APPLICABLE LAWS OR REGULATIONS
- ALTERING OR CONVERTING THE FIREARM'S ORIGINAL AESTHETIC, FUNCTIONING MECHANISMS, ACCESSORIES, OR MECHANICAL CONFIGURATION
- DISCHARGING WITH CRIMINAL INTENT OR NEGLIGENCE
- FAILURE TO UNDERSTAND, ADHERE TO, AND FOLLOW THE RULES OF FIREARM SAFETY WHEN USING OR HANDLING THE FIREARM
- OR ANY OTHER CIRCUMSTANCES OUTSIDE THE MANUFACTURER'S DIRECT OR IMMEDIATE CONTROL

# FIREARM SAFETY

**IMPORTANT WARNING: IT IS IMPORTANT FOR YOU TO RECEIVE PROPER TRAINING FROM A COMPETENT FIREARMS INSTRUCTOR OR AUTHORITY BEFORE BEGINNING TO SHOOT OR WHEN HANDLING THE FIREARM.**

**IMPORTANT WARNING: FAILURE TO ADHERE TO THE RULES OF FIREARM SAFETY CAN RESULT IN SERIOUS INJURY, DEATH, OR DESTRUCTION OF PROPERTY.**

## **1) COMPLETELY READ AND UNDERSTAND YOUR OWNER'S MANUAL**

**GUIDELINES BEFORE USING YOUR FIREARM.** You should fully understand the function of all of the components and mechanics of the firearm. Before you remove the firearm from the box, thoroughly read the owners manual on how to properly carry, handle, load, unload, and store your new firearm. Know the rules of proper gun safety and exercise them at all times because failure to do so may result in death or injury to yourself or others. Because it is impossible to list every firearm situation or scenario, be aware that certain circumstances may require additional safety rules unique to a particular situation. In these cases, we recommend that you use extra precautions.

## **2) ALWAYS LEARN THE SPECIFIC MECHANICAL AND HANDLING**

**CHARACTERISTICS OF YOUR SHOTGUN.** All firearms are different thus it is important for you to understand how to properly carry, use, and handle each one according to its specific guidelines. Before using any firearm, one must completely familiarize themselves with the type of firearm and its specific safe handling procedures for loading, unloading, and carrying.

## **NEVER**

- **Give the shotgun to any person who has not thoroughly familiarized himself or herself with all of the information, safety rules, and warnings in the owner's manual.**

## **3) ALWAYS KEEP THE FIREARM UNLOADED UNTIL READY TO USE.**

Firearms should be kept unloaded when not in use. Whenever you pick up a firearm, immediately engage the safety device and remove the magazine to visually inspect the chamber and confirm that it is clear. Always unload all ammunition from the chamber and remove the magazine after: 1) shooting, 2) before putting the firearm away, 3) putting it into a holster, 4) when not in use, and 5) when handing it over to another person.

## **NEVER**

- Leave a loaded gun unattended, propped up against a surface, or out of your hands.
- Assume a firearm is unloaded, even if you used it last. Always check to make sure that there is no ammunition and the chamber is clear.
- Load a cartridge into the chamber until you are ready to fire.
- Carry or transport your firearm with live ammunition in the chamber.
- Pass a firearm to another person or accept a firearm from another person, until the cylinder or action is open and you have personally checked that the weapon is completely unloaded.
- Haul a loaded firearm openly or in a carrying case.
- Never transfer or hand a loaded firearm to someone else.

## **4) ALWAYS KEEP YOUR FINGER OFF THE TRIGGER UNTIL YOU ARE READY TO**

**SHOOT.** When holding the firearm be sure to rest your finger on the trigger guard and along the side of the gun.

## **NEVER**

- Touch the trigger until you are ready to fire.
- Engage in horsplay while handling a firearm.
- Rely on the safety devices of the gun. Mechanical safeties are never foolproof and can wear out and malfunction overtime. Remember to always handle all firearms using proper gun safety guidelines.

**5) ALWAYS KEEP THE GUN POINTED IN A SAFE DIRECTION.** A safe direction is one in which an accidental discharge cannot or would not cause injury or harm to yourself or others. Use extreme caution especially when loading and unloading your firearm. When handling any firearm always treat it as if it was loaded and ready to fire, even if you think it is empty. The recommended carrying position of your shotgun is with the hammer in de-cocked position.

## **NEVER**

- Point your firearm at anything you don't intend to shoot.
- Use a firearm under the influence of alcohol, drugs, or any other substances that may impair your judgment, skills, or physical abilities.
- Target shoot or hunt with a firearm when you are fatigued or too tired to operate the firearm safely.
- Use your firearm if you have an illness or disability that could compromise your judgment and the safety of yourself or others.

**6) ALWAYS USE THE CORRECT AMMUNITION.** All firearms are manufactured to use a certain caliber or gauge of ammunition. Only use ammunition that the manufacturer has recommended. Always verify before loading that you have the correct ammunition that matches the manufacturer's recommendations. Using improperly reloaded or incorrect ammunition can cause death and injury. This can also damage or destroy your firearm which will void any warranty.

## **NEVER**

- **Shoot the gun unless you know you have the proper ammunition.**
- **Use hand loaded, non-standard or reloaded ammunition.**
- **Fire ammunition that exceeds industry standard pressure specifications.**
- **Use old, soiled, or damaged ammunition.**
- **Use ammunition which does not feed reliably in your particular firearm as it may malfunction at a critical juncture.**

**7) ALWAYS STORE YOUR FIREARM IN A SECURED STORAGE AREA TO PREVENT UNAUTHORIZED ACCESS OR USE FROM OTHER INDIVIDUALS.** There are many types of firearm storage devices as well as locking devices that attach directly to the firearm itself. Each individual must consider their particular circumstances so that the firearm is stored and maintained for optimal safety and security. Metal gun safes are recommended over open racks or glass front cabinets. Mechanical safeties built into the firearm can fail and should not be used as a substitute for safe gun handling and adherence to all firearm safety rules. Additionally, always store your ammunition locked up and stored separately from any firearms.

## **NEVER**

- **Store or hide a loaded firearm.**
- **Leave your firearms where unauthorized access from other individuals can occur.**
- **Allow access to individuals who do not understand or follow the rules of proper gun safety.**
- **Leave an unsecured firearm in a bed, drawer, closet, or any other vehicle that could allow access to children or other unauthorized individuals.**
- **Allow children under the age of 18 access to any firearms without close supervision and proper firearm safety training.**

**8) ALWAYS COMPLY WITH ALL LOCAL, STATE, AND FEDERAL LAWS THAT GOVERN THE OWNERSHIP, STORAGE, CARRYING, AND USE OF FIREARMS.**

## **NEVER**

- **Vandalize any public or private property by using it as a target.**
- **Poach a game animal out of season.**
- **Kill any animal you don't intend to eat.**

**9) ALWAYS KNOW YOUR TARGET AND WHAT IS BEYOND.** Before you pull the trigger be sure of your target and what is behind it. Shoot only in approved areas such as a shooting range, or backstops such as a hillside or berm. Also, know how far your shot will travel in case you miss the target or the bullet ricochets.

## **NEVER**

- Fire in the direction in which there are people.
- Fire at a sound, movement, or a flash of color.
- Shoot directly upwards or at a high angle of elevation. Firing at or into the air can have enough energy to travel long distances and accidentally injure or kill someone.
- Shoot across a highway or other roadway

**10) ALWAYS WEAR EYE/ EAR/BODY PROTECTION.** Gases and debris can cause injury so it is very important that one wears protective gear to preserve their hearing and eyesight. Also, while in the field wear blaze orange so that you can be visible by others.

## **NEVER**

- Discharge a firearm in a poorly ventilated area.

**IMPORTANT WARNING:** POSSIBLE LEAD EXPOSURE CAN OCCUR WHEN DISCHARGING FIREARMS IN A POORLY VENTILATED AREA, CLEANING THE FIREARM, OR HANDLING AMMUNITION. LEAD AND ITS COMPONENTS IS A SUBSTANCE KNOWN TO CAUSE BIRTH DEFECTS, REPRODUCTIVE COMPLICATIONS, CANCER, OR OTHER SERIOUS HEALTH CONDITIONS AND INJURY. ALWAYS HAVE ADEQUATE VENTILATION AT ALL TIMES AND WASH YOUR HANDS AND OTHER CONTACT AREAS THOROUGHLY AFTER EACH EXPOSURE.

**11) ALWAYS HANDLE WITH EXTREME CARE IF YOUR GUN FAILS TO FIRE WHEN THE TRIGGER IS PULLED.** If the ammunition doesn't fire when you pull the trigger, **STOP!** and remember to always keep the firearm pointed in a safe direction. Keep your face away from the breech, then put the safety on, carefully open the action, unload the firearm and dispose of the cartridge safely. Always keep in mind that anytime there is a shell in the chamber, your firearm is **LOADED** and ready to fire. Even if you tried to shoot and the firearm did not fire, always treat it as if it could still discharge.

**12) ALWAYS TREAT THE FIREARM AS IF IT WAS LOADED, EVEN IF THE SAFETY IS POSITIONED CORRECTLY AND KEEP YOUR FINGERS AWAY FROM THE TRIGGER WHEN LOADING AND UNLOADING.** A gun is a mechanical device and is not full proof and is subject to wear and tear over time. Always keep your fingers away from the trigger when you are loading and unloading. If the manual safety proves to be ineffective for any reason, danger of an unintentional discharge exists, the weapon must be immediately unloaded and restricted from further use.

**REMEMBER... THAT ANY FIREARM SAFETY MECHANISMS CAN FAIL, EVEN IF THE SAFETY IS ENGAGED. YOU SHOULD ALWAYS ASSUME THAT A FIREARM IS LOADED WHEN HANDLING IT.**

**13) ALWAYS KEEP YOUR SHOTGUN IN THE SAME MECHANICAL AND STRUCTURAL CONFIGURATION AS IT WAS WHEN IT WAS MANUFACTURED.**

This shotgun was produced under specific manufacturer guidelines and should not be altered or changed under **ANY** circumstances. Performing conversions by altering the trigger, mechanical components, safety mechanisms, or using any other products other than those provided in the original box is **NOT RECOMMENDED** by the manufacturer, and could result death, bodily harm, or compromising your safety or the safety of others. Any alteration made to the firearm also voids the factory warranty. Like any mechanical device it is subject to normal wear and tear from use. In order to maintain optimal safety and performance it should be periodically serviced. You must regularly clean and lubricate your firearm to maintain its functionality, accuracy, safety, and reliability. Always, before cleaning or lubricating any firearm, make sure that you perform a safety check to make sure that the firearm is completely unloaded prior to performing any routine maintenance. If for some reason your firearm does require repairing, you must contact the U.S. Importer for an approved service provider. Using unauthorized personnel to repair your firearm will void your manufacturer's warranty.

**IMPORTANT WARNING:** THIS FIREARM WAS DESIGNED TO FUNCTION PROPERLY IN ITS ORIGINAL CONDITION. THE MANUFACTURER WILL NOT BE HELD LIABLE OR LEGALLY RESPONSIBLE FOR ANY ALTERATION PERFORMED ON THE FIREARM AFTER IT LEAVES THEIR CONTROL. DO NOT JEOPARDIZE THE SAFETY OF YOURSELF OR OTHERS BY MAKING MODIFICATIONS TO YOUR FIREARM.

**14) ALWAYS MAKE SURE THE BARREL IS CLEAR OF ANY OBSTRUCTIONS BEFORE SHOOTING.**

Before loading always perform a safety check to make sure that there is no ammunition in the chamber or magazine. Examine the barrel for any obstructions or debris such as excess lubricant, dirt, or grease. If the bore is obstructed it can cause increased pressure causing the barrel to bulge or burst during use. Always use a cleaning rod and patch to remove any residues or obstructions in the barrel. Be familiar with your firearm. If the noise or recoil seems muffled or weak then STOP! And proceed to unload your firearm and check to make sure nothing is lodged in the barrel.

**NEVER**

- Try to shoot out an obstruction by loading another shell and firing.



## SERIAL NUMBER OF THE FIREARM

The serial number is located on various parts of the shotgun. Each serial number is specific to that shotgun and is used for identification and registration. It is recommended that you record your serial number in your manual and keep the information in a secured location.

## LOADING THE SHOTGUN

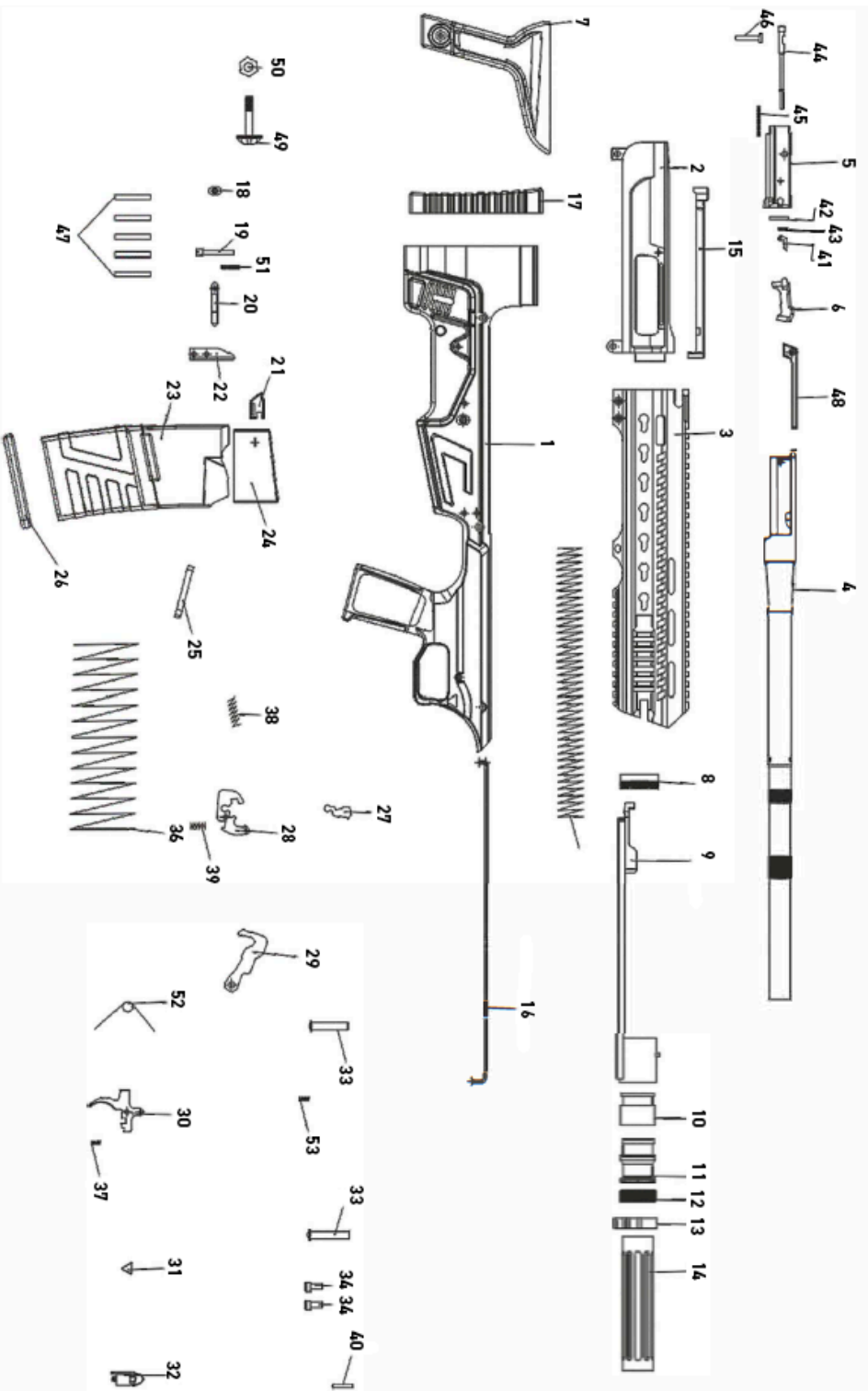
- 1) First, point the shotgun in a safe direction. Remember, a safe direction means that the gun is pointed so that even if it were to go off, it would not cause injury, damage, or death. Always perform a safety check to make sure that the chamber is empty.
- 2) When the magazine is empty, the bolt catch lever holds the bolt open at the rear. Press the magazine release to remove the empty magazine and insert a loaded magazine. Remember to only use ammunition that is recommended by the manufacturer.
- 3) Push down the bolt catch lever with the thumb of the shooting hand and this will allow the bolt to move forward and feed the cartridge into the chamber.

## THE SHOTGUN IS NOW LOADED AND READY TO FIRE!

**IMPORTANT WARNING:** ALWAYS UNLOAD YOUR FIREARM IMMEDIATELY AFTER SHOOTING

## UNLOADING THE SHOTGUN

- 1) Point the shotgun in a safe direction. Remember, a safe direction means that the gun is pointed so that even if it were to go off, it would not cause injury, damage, or death.
- 2) Keep your fingers off the trigger and remove the magazine.
- 3) Pull back the charging handle one or more times to insure the chamber is empty. Watch for a live round or empty case to be ejected. Pull the charging handle fully rearward and lock the bolt with the bolt catch lever.
- 4) Make sure the last round in the chamber has been extracted and ejected. Visually and physically check the chamber and the magazine well to make sure the shotgun has been fully unloaded. Perform a safety check by physically inserting your index finger in the chamber to feel for the presence of a round or cartridge case in the chamber.



## PARTS KEY

1	PLASTIC BOTTOM BODY
2	ALUMINUM UPPER BODY
3	ALUMINUM FOREND
4	BARREL
5	BOLT
6	BOLT CATCH
7	PLASTIC CHEEKPIECE
8	BARREL NUT
9	CARRIER SLED
10	PISTON
11	GAS ROOM
12	LOCKING NUT
13	FOREND COVER
14	BARREL SHROUD
15	CHARGING HANDLE
16	SEAR
17	BUTT PLATE
18	MAGAZINE RELEASE BUTTON
19	MAGAZINE CATCH SCREW
20	MAGAZINE CATCH
21	MAGAZINE FOLLOWER
22	CARTRIDGE RAMP
23	MAGAZINE
24	MAGAZINE FOLLOWER
25	PLASTIC GRIP COVER
26	PLASTIC MAGAZINE BOTTOM COVER
27	INTERNAL SAFETY
28	DISCONNECT
29	HAMMER
30	TRIGGER
31	SAFETY

32	BOLT STOP CATCH
33	BODY FIXING PIN
34	FOREND FIXING SCREW
35	RECOIL SPRING
36	MAGAZINE SPRING
37	TRIGGER SPRING
38	INTERNAL SAFETY SPRING
39	DISCONNECT SPRING
40	FOREND FIXING PIN
41	EXTRACTOR
42	EXTRACTOR PIN
43	EXTRACTOR SPRING
44	FIRING PIN
45	FIRING PIN SPRING
46	FIRING PIN RETAINING PIN
47	MOUNTING PINS
48	ROUTER
49	CHEEKPIECE SCREW
50	CHEEKPIECE NUT
51	MAGAZINE CATCH SPRING
52	HAMMER SPRING
53	SAFETY SPRING

## SHOTGUN DISASSEMBLY INSTRUCTIONS

**MANUFACTURERS WARNING:** THIS MANUFACTURED FIREARM WAS DESIGNED TO PERFORM WITH ITS ORIGINAL PARTS. IT IS YOUR RESPONSIBILITY TO MAKE SURE THAT ANY PARTS YOU BUY ARE AUTHENTIC AND CORRECTLY INSTALLED AND THAT THE PARTS HAVE NOT BEEN ALTERED OR CHANGED. IT IS IMPERATIVE THAT ONLY FACTORY PARTS BE USED AS REPLACEMENTS TO ASSURE THAT THE FIREARM REMAINS FUNCTIONALLY SAFE AND OPERATES ACCURATELY. THE GUN OWNER ACCEPTS FULL RESPONSIBILITY FOR THE CORRECT REASSEMBLY AND FUNCTIONING OF THE FIREARM AFTER ANY DISASSEMBLY OR REPLACEMENT OF PARTS.

1) To secure your shotgun by pressing the safety button shown in the pictures



2) Press the release latch magazine to remove it



3) Remove the cheekpiece by removing the screw



4) Pull the 3 pins in the plastic body so that they are not separated



5) Remove the plastic bottom body and the metal upper body from each other



6) Remove the barrel dressing nut



7) Remove the forend screws to remove the forend



10) Remove the barrel and mechanism group by pulling unit forward



8) Removing the nut seen in the picture unplug the gas chamber and piston



11) Remove the mechanism by pulling the carrier sled back



9) Remove the barrel nut with the help of the key



**IMPORTANT WARNING:** BEFORE YOU START CLEANING YOUR SHOTGUN ALWAYS MAKE SURE IT IS UNLOADED AND POINTED IN A SAFE DIRECTION.

**LUBRICATION WARNING:** FIRING A SHOTGUN WITH OIL, GREASE, OR OTHER DEBRIS PARTIALLY OBSTRUCTING THE BORE MAY RESULT IN DAMAGE TO THE FIREARM OR INJURY TO THE SHOOTER AND THOSE NEARBY. BEFORE FIRING MAKE SURE THE BORE AND CHAMBER OF THE BARREL IS UNOBSTRUCTED AND DRY. NEVER SPRAY OR APPLY LUBRICANT ON SHOTSHELLS. FIRING ANOTHER SHOTSHELL BEHIND AN OBSTRUCTION MAY DAMAGE THE SHOTGUN AND CAUSE DEATH OR INJURY. ONLY USE LUBRICANTS PROPERLY AND SPARINGLY. YOU ARE RESPONSIBLE FOR THE PROPER CARE AND MAINTENANCE OF YOUR SHOTGUN.

**STEP 1) DISASSEMBLE YOUR SHOTGUN.**

**STEP 2) USING A PROPER CLEANING ROD, RUN A SOLVENT-WETTED PATCH THROUGH THE BORE SEVERAL TIMES. THIS WILL THEN BE FOLLOWED BY RUNNING DRY PATCHES THROUGH THE BORE TO REMOVE ANY DEBRIS OR RESIDUE.**

**STEP 3) IF THE BORE IS LEADED TO THE EXTENT THAT THE ABOVE PATCH CLEANING PROCEDURE DID NOT REMOVE THE LEAD, THEN SCRUB THE BORE FULL LENGTH WITH A SOLVENT-WETTED BRASS BRISTLE BRUSH. WHEN THE LEADING IS LOOSE THEN REPEAT STEP #2**

**STEP 4) THE SURFACES OF BOLT CARRIER, EJECTOR, AND INSIDE SURFACES OF THE RECEIVER SHOULD BE COATED VERY LIGHTLY WITH NON-PENETRATING LUBRICATING OIL.**

**STEP 5) REASSEMBLE THE SHOTGUN AND WIPE THE EXTERIOR METAL SURFACES SPARINGLY WITH AN OILED CLOTH. SWAB THE BORE WITH AN OILY PATCH BEFORE STORING THE FIREARM.**

**STEP 6) PLACE THE SHOTGUN IN A SAFE, LOCKED STORAGE SPACE WHERE UNAUTHORIZED PERSONS CANNOT ACCESS THE FIREARM. NEVER STORE THE SHOTGUN IN A LEATHER CASE AS LEATHER ATTRACTS MOISTURE.**

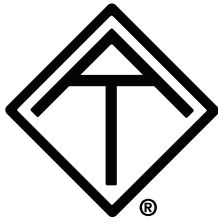


American Tactical Recommends the use of all Lucas Oil Outdoor Line Cleaning and Lubricants to maintain your firearms optimal performance.

**AMERICAN TACTICAL  
PROUDLY USES  
LUCAS OIL OUTDOOR  
PRODUCTS  
FOR ALL OF OUR FIREARM  
MAINTENANCE NEEDS**



**A Lucas Oil Lubrication sample is included with all firearm purchases!**



AMERICAN TACTICAL

## Registration and Warranty Information

Thank you for choosing an American Tactical firearm.

### Please Register Online!

Please Visit [www.AmericanTactical.us/warranty.html](http://www.AmericanTactical.us/warranty.html) to register your firearm and fill out a brief questionnaire.

If you do not have on-line access, use the back of this card

Registration will be used for product registry in the event your firearm needs service or repair.

### American Tactical Lifetime Limited Warranty

American Tactical's LIMITED LIFETIME WARRANTY is in effect for any firearms registered for warranty beginning January 1, 2015. This warranty extends to any and all parts of the firearm as originally sold by American Tactical, but does not extend to firearms altered after their original purchase, firearms damaged through abuse, misuse or lack of proper care and maintenance or firearms used other than for their legal intended purposes. If a firearm cannot be repaired, American Tactical will replace it with a brand new identical firearm. If a replacement firearm identical to the returned firearm is not available, American Tactical will replace it with a firearm of equal value to be determined at our discretion. The American Tactical LIMITED LIFETIME WARRANTY does not allow for monetary compensation for firearms purchased by the end user at the retail level. Any and all claims for monetary return must be addressed with the retail location from which the end user purchased the American Tactical brand domestic or imported firearm

and will be subject to the terms and conditions of the retail locations returns policies.

American Tactical is not liable for any returns or claims policies of independent retailers selling American Tactical brand domestic or imported products.

All firearms registered prior to January 1, 2015 are still subject to the previous 2 Year American Tactical Warranty policy. Once expired, firearms registered prior to January 1, 2015 will be subject to the policy detailed below in the section labeled SERVICES OUTSIDE OF WARRANTY.

**NOTE: All American Tactical Omni and American Tactical Omni Hybrid AR receivers have a lifetime warranty regardless of registration date.**



# American Tactical Product Registration Card

## Contact Information

First Name: \_\_\_\_\_

Last Name: \_\_\_\_\_

Address: \_\_\_\_\_  
\_\_\_\_\_

City: \_\_\_\_\_

State: \_\_\_\_\_ Zip: \_\_\_\_\_

Phone: \_\_\_\_\_

Email: \_\_\_\_\_

## Purchase Information

Date Purchased: \_\_\_\_\_

Place of Purchase: \_\_\_\_\_

Make: \_\_\_\_\_

Model: \_\_\_\_\_

Serial Number: \_\_\_\_\_

Purchase Price: \_\_\_\_\_

Color / Finish: \_\_\_\_\_

Caliber / Gauge: \_\_\_\_\_

Magazine Capacity: \_\_\_\_\_

## Additional Information

Gender: Male  Female

Marital Status: Single  Married

Date of Birth: \_\_\_\_/\_\_\_\_/\_\_\_\_

Occupation: \_\_\_\_\_

Including yourself, what is the total number of people living in your household? \_\_\_\_\_

Your Level of Education:

- Some High School
- Completed High School (or equivalent)
- Some College
- Associate's College Degree
- Bachelor's College Degree
- Master's College Degree or Higher

Number of Firearms you Own: \_\_\_\_\_

What are your Household Shooting Interests?

- Waterfowl
- Upland Birds
- Turkey
- Big Game
- Small Game
- Trap / Skeet
- Sporting Clays
- Target
- Plinking
- Home Defense

This ATI Firearm will be used for (Fill all that Apply):

- Waterfowl
- Big Game
- Small Game
- Trap
- Skeet
- Other
- Gun Collection
- Sporting Clays
- Target
- Plinking
- Home Defense

Number of ATI Firearms you own: \_\_\_\_\_

NOTICE: All information on this form is confidential and will not be sold or given to any third parties.



Go to [Facebook.com/AmericanTactical](https://www.facebook.com/AmericanTactical) for constant updates and promotions

Additional Notes: \_\_\_\_\_  
\_\_\_\_\_  
\_\_\_\_\_  
\_\_\_\_\_



**AMERICAN TACTICAL**

Please Visit [www.AmericanTactical.us/warranty.html](http://www.AmericanTactical.us/warranty.html) to register your firearm and fill out a brief questionnaire. To register by mail, detach and mail this page. Find the address at [www.AmericanTactical.us](http://www.AmericanTactical.us) or give us a call at 800.290.0065





AMERICAN TACTICAL

## **AMERICAN TACTICAL WARRANTY SERVICE RETURNS PROCEDURE:**

American Tactical provides warranty services, repairs and parts for our imported and domestic brand products. If you believe your American Tactical product needs service, please contact our Customer Service Department at 1-800-290-0065 or email [customerservice@americantactical.us](mailto:customerservice@americantactical.us) to obtain a Return Authorization (RA). All firearms (pistols, rifles, shotguns, and lower receivers) being sent in for service must be registered through the American Tactical website or by mailing in the firearm's warranty card to receive warranty services. Firearms that are not registered can be serviced, but will be subject to charge. Once a RA for a firearm is issued by an American Tactical Customer Service Representative, you will receive an automated email confirmation that will also include the instructions on how to return the firearm. The Customer Service Representative will also provide a prepaid shipping label via the FedEx website. To avoid any refusals or delays carefully follow the instructions provided in the RA confirmation email to ensure your firearm is properly received by our Service Department. All firearms returned to ATI for service can only be shipped to and from the address provided to the Customer Service Representative when the RA is created. If you are no longer able to receive the firearm from the address the firearm was sent from and originally provided to American Tactical, the firearm must then be sent to a firearms dealer with a valid Federal Firearms License (FFL). If you must have your firearm returned to a valid FFL holder, American Tactical is not responsible for any fees or cost associated with the return shipment. It is the duty of the customer to notify American Tactical of any issues or concerns regarding the return shipment of the firearm at the time the RA is issued. All other items (magazines, sights, firearms parts, etc) also require a RA to receive service. To obtain a RA from our Customer Service department a valid proof of purchase must be provided. Once a RA is obtained from American Tactical, the Customer Service representative will provide you with a RA number. That number must be placed on the outside of the package; visible for our Returns Department to be accepted into the facility. Packages that do not visibly reveal the RA number will be denied access into American Tactical facilities and returned to sender without notification.

**NOTE:** It is the responsibility of the consumer to ship any non-serialized products to American Tactical for service. American Tactical is not liable for any shipping charges incurred by the consumer. Once your product is received by our Returns Department, an E-mail notification will be sent to inform you that the product has been received and has been placed into our service system. All firearms serviced will include a service report from the gunsmith who performed the repair work. Each report will detail the issues discovered, if any, what corrections were made, what parts were repaired or replaced and how many test fire rounds were successfully put through the firearm prior to return. Once your item has been serviced, you will receive an email notification that the firearm or product is shipping back to you.



AMERICAN TACTICAL

**BULLDOG SEMI  
AUTOMATIC SHOTGUN**  
in 12GA, 20GA, & 410GA

**AMERICANTACTICAL.US | 1.800.290.0065**

Created Feb. 28 2020